

SBAS150A – AUGUST 1987 – REVISED FEBRUARY 2003

CMOS 12-Bit Multiplying DIGITAL-TO-ANALOG CONVERTER

Microprocessor Compatible

FEATURES

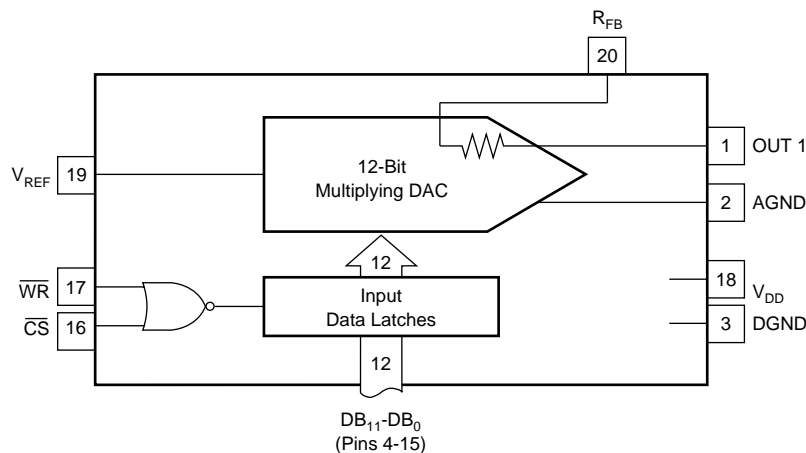
- FOUR-QUADRANT MULTIPLICATION
- LOW-GAIN TC: 2ppm/°C typ
- MONOTONICITY ENSURED OVER TEMPERATURE
- SINGLE 5V TO 15V SUPPLY
- TTL/CMOS LOGIC COMPATIBLE
- LOW OUTPUT LEAKAGE: 10nA max
- LOW OUTPUT CAPACITANCE: 70pF max
- DIRECT REPLACEMENT FOR THE AD7545,
PM-7545

DESCRIPTION

The DAC7545 is a low-cost, CMOS, 12-bit, four-quadrant multiplying, digital-to-analog converter (DAC) with input data latches. The input data is loaded into the DAC as a 12-bit data word. The data flows through to the DAC when both the chip select (\overline{CS}) and the write (\overline{WR}) pins are at a logic low.

Laser-trimmed thin-film resistors and excellent CMOS voltage switches provide true 12-bit integral and differential linearity. The device operates on a single +5V to +15V supply and is available in an SO-20 package; devices are specified over the commercial temperature range.

The DAC7545 is well suited for battery-powered or other low-power applications because the power dissipation is less than 0.5mW when used with CMOS logic inputs and $V_{DD} = +5V$.



Please be aware that an important notice concerning availability, standard warranty, and use in critical applications of Texas Instruments semiconductor products and disclaimers thereto appears at the end of this data sheet.

PRODUCTION DATA information is current as of publication date. Products conform to specifications per the terms of Texas Instruments standard warranty. Production processing does not necessarily include testing of all parameters.

ABSOLUTE MAXIMUM RATINGS⁽¹⁾

T_A = +25°C, unless otherwise noted.

V _{DD} to DGND	-0.3V, +17
Digital Input to DGND	-0.3V, V _{DD}
V _{RFB} , V _{REF} , to DGND	±25V
V _{PIN 1} to DGND	-0.3V, V _{DD}
AGND to DGND	-0.3V, V _{DD}
Power Dissipation: Any Package to +75°C	450mW
Derates above +75°C by	6mW/°C
Operating Temperature:	
Commercial J, K, L, and GL	-40°C to +85°C
Storage Temperature	-65°C to +150°C
Lead Temperature (soldering, 10s)	+300°C

NOTE: (1) Stresses above those listed above may cause permanent damage to the device. This is a stress rating only and functional operation of the device at these or any other condition above those indicated in the operational sections of this specification is not implied. Exposure to absolute maximum rating conditions for extended periods may affect device reliability.



ELECTROSTATIC DISCHARGE SENSITIVITY

This integrated circuit can be damaged by ESD. Texas Instruments recommends that all integrated circuits be handled with appropriate precautions. Failure to observe proper handling and installation procedures can cause damage.

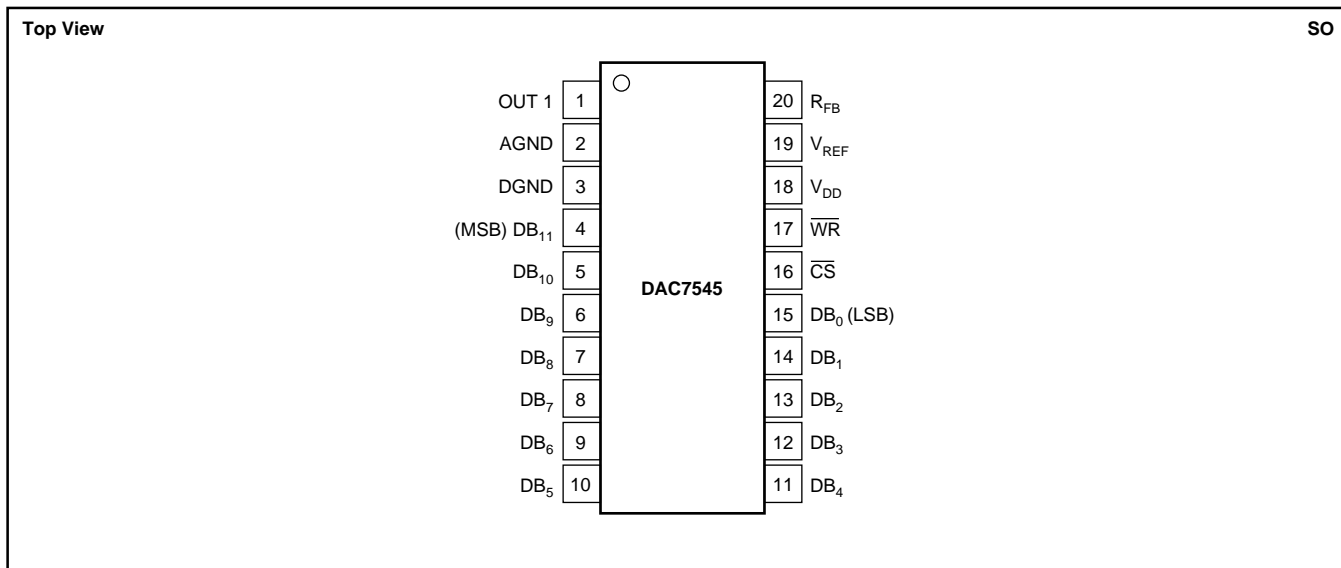
ESD damage can range from subtle performance degradation to complete device failure. Precision integrated circuits may be more susceptible to damage because very small parametric changes could cause the device not to meet its published specifications.

PACKAGE/ORDERING INFORMATION

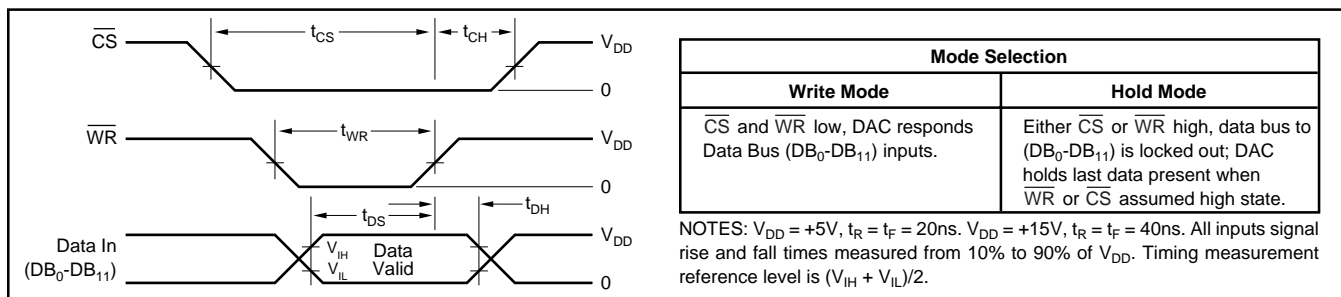
PRODUCT	RELATIVE ACCURACY (LSB)	GAIN ERROR (LSB) V _{DD} = +5V	PACKAGE-LEAD	PACKAGE DESIGNATOR ⁽¹⁾	SPECIFIED TEMPERATURE RANGE	PACKAGE MARKING	ORDERING NUMBER	TRANSPORT MEDIA, QUANTITY
DAC7545	±2	±20	SO-20	DW	-40°C to +85°C	DAC7545JU	DAC7545JU	Rails, 38
"	±1	±10	"	"	"	DAC7545KU	DAC7545KU	Rails, 38
DAC7545	±1/2	±5	SO-20	DW	-40°C to +85°C	DAC7545LU	DAC7545LU	Rails, 38
"	±1/2	±2	"	"	"	DAC7545GLU	DAC7545GLU	Rails, 38

NOTE: (1) For the most current specifications and package information, refer to our web site at www.ti.com.

PIN CONNECTIONS



WRITE CYCLE TIMING DIAGRAM



ELECTRICAL CHARACTERISTICS

V_{REF} = +10V, V_{OUT1} = 0V, and ACOM = DCOM, unless otherwise specified.

PARAMETER	GRADE	DAC7545				UNITS	TEST CONDITIONS/COMMENTS
		V _{DD} = +5V		V _{DD} = +15V			
		T _A = +25°C	T _{MAX} -T _{MIN} ⁽¹⁾	T _A = +25°C	T _{MAX} -T _{MIN} ⁽¹⁾		
STATIC PERFORMANCE							
Resolution	All	12	12	12	12	Bits	10-Bit Monotonic, T _{MIN} to T _{MAX} 10-Bit Monotonic, T _{MIN} to T _{MAX} 12-Bit Monotonic, T _{MIN} to T _{MAX} 12-Bit Monotonic, T _{MIN} to T _{MAX} DAC register loaded with FFF _H . Gain error is adjustable using the circuits in Figures 2 and 3.
Accuracy	J	±2	±2	±2	±2	LSB	
	K	±1	±1	±1	±1	LSB	
	L	±1/2	±1/2	±1/2	±1/2	LSB	
	GL	±1/2	±1/2	±1/2	±1/2	LSB	
Differential Nonlinearity	J	±4	±4	±4	±4	LSB	
	K	±1	±1	±1	±1	LSB	
	L	±1	±1	±1	±1	LSB	
	GL	±1	±1	±1	±1	LSB	
Gain Error (with internal R _{FB}) ⁽²⁾	J	±20	±20	±25	±25	LSB	
	K	±10	±10	±15	±15	LSB	
	L	±5	±6	±10	±10	LSB	
	GL	±2	±3	±6	±7	LSB	
Gain Temperature Coefficient ⁽³⁾ (ΔGain/ΔTemperature)	All	±5	±5	±10	±10	ppm/°C	Typical Value is 2ppm/°C
DC Supply Rejection ⁽³⁾ (ΔGain/ΔV _{DD})	All	0.015	0.03	0.01	0.02	%/%	for V _{DD} = +5 ΔV _{DD} ± 5%
Output Leakage Current at Out 1	J, K, L, GL	10	50	10	50	nA	DB ₀ -DB ₁₁ = 0V; \overline{WR} , \overline{CS} = 0V
DYNAMIC PERFORMANCE							
Current Settling Time ⁽³⁾	All	2	2	2	2	μs	To 1/2 LSB. Out 1 Load = 100Ω DAC output measured from falling edge of WR. CS = 0V.
Propagation Delay ⁽³⁾ (from digital input change to 90% of final analog output)	All	300		250		ns	Out 1 Load = 100Ω. C _{EXT} = 13pF ⁽⁴⁾
Glitch Energy	All	400		250		nV-s ⁽⁵⁾	V _{REF} = ACOM
AC Feedback at I _{OUT1}	All	5	5	5	5	mVp-p ⁽⁵⁾	V _{REF} = ±10V, 10kHz Sine Wave
REFERENCE INPUT							
Input Resistance (pin 19 to AGND)	All	7	7	7	7	kΩ ⁽⁶⁾	Input Resistance TC = 300ppm/°C ⁽⁵⁾
		25	25	25	25	kΩ	
AC OUTPUTS							
Output Capacitance ⁽³⁾ : C _{OUT1}	All	70	70	70	70	pF	DB ₀ -DB ₁₁ = 0V; \overline{WR} , \overline{CS} = 0V
C _{OUT2}	All	200	200	200	200	pF	
DIGITAL INPUTS							
V _{IH} (Input HIGH Voltage)	All	2.4	2.4	13.5	13.5	V ⁽⁶⁾	V _{IN} = 0V or V _{DD} V _{IN} = 0V V _{IN} = 0V
V _{IL} (Input LOW Voltage)	All	0.8	0.8	1.5	1.5	V	
I _{IN} (Input Current) ⁽⁷⁾	All	±1	±10	±1	±10	μA	
Input Capacitance ⁽³⁾ : DB ₀ -DB ₁₁	All	5	5	5	5	pF	
\overline{WR} , \overline{CS}	All	20	20	20	20	pF	
SWITCHING CHARACTERISTICS⁽⁸⁾							
Chip Select to Write Setup Time, t _{CS}	All	280	380	180	200	ns ⁽⁶⁾	See Timing Diagram
		200	270	120	150	ns ⁽⁵⁾	
Chip Select to Write Hold Time, t _{CH}	All	0	0	0	0	ns ⁽⁶⁾	t _{CS} ≥ t _{WR} , t _{CH} ≥ 0
Write Pulse Width, t _{WR}	All	250	400	160	240	ns ⁽⁶⁾	
		175	280	100	170	ns ⁽⁵⁾	
		140	210	90	120	ns ⁽⁶⁾	
Data Setup Time, t _{DS}	All	100	150	60	80	ns ⁽⁵⁾	
Data Hold Time, t _{DH}	All	10	10	10	10	ns ⁽⁶⁾	
POWER SUPPLY, I_{DD}							
	All	2	2	2	2	mA	All Digital Inputs V _{IL} or V _{IH} All Digital Inputs 0V or V _{DD} All Digital Inputs 0V or V _{DD}
	All	100	500	100	500	μA	
	All	10	10	10	10	μA ⁽⁵⁾	

NOTES: (1) Temperature ranges—J, K, L, and GL: -40°C to +85°C. (2) This includes the effect of 5ppm max, gain TC. (3) Ensured but not tested. (4) DB₀-DB₁₁ = 0V to V_{DD} or V_{DD} to 0V. (5) Typical. (6) Minimum. (7) Logic inputs are MOS gates. Typical input current (+25°C) is less than 1nA. (8) Sample tested at +25°C to ensure compliance.

DISCUSSION OF SPECIFICATIONS

RELATIVE ACCURACY

This term (also known as end point linearity) describes the transfer function of analog output to digital input code. Relative accuracy describes the deviation from a straight line after zero and full-scale have been adjusted.

DIFFERENTIAL NONLINEARITY

Differential nonlinearity is the deviation from an ideal 1LSB change in the output, for adjacent input code changes. A differential nonlinearity specification of 1LSB ensures monotonicity.

GAIN ERROR

Gain error is the difference in measure of full-scale output versus the ideal DAC output; the ideal output for the DAC7545 is $-(4095/4096)(V_{REF})$. Gain error can be adjusted to zero using external trims, see the Applications section.

OUTPUT LEAKAGE CURRENT

The current that appears at OUT 1 with the DAC loaded with all zeros.

MULTIPLYING FEEDTHROUGH ERROR

The AC output error due to capacitive feedthrough from V_{REF} to OUT 1 with the DAC loaded with all zeros; this test is performed using a 10kHz sine wave.

OUTPUT CURRENT SETTling TIME

The time required for the output to settle within ± 0.5 LSB of final value from a change in code of all zeros to all ones, or all ones to all zeros.

PROPAGATION DELAY

The delay of the internal circuitry is measured as the time from a digital code change to the point at which the output reaches 90% of final value.

DIGITAL-TO-ANALOG GLITCH IMPULSE

The area of the glitch energy measured in nanovolt-seconds. Key contributions to glitch energy are internal circuitry timing differences and charge injected from digital logic. The measurement is performed with $V_{REF} = GND$, an OPA600 as the output op amp, and G_1 (phase compensation) = 0pF.

MONOTONICITY

Monotonicity assures that the analog output will increase or stay the same for increasing digital input codes. The DAC7545 is ensured monotonic to 12 bits, except the J grade is specified to be 10-bit monotonic.

POWER-SUPPLY REJECTION

Power-supply rejection is the measure of the sensitivity of the output (full-scale) to a change in the power-supply voltage.

CIRCUIT DESCRIPTION

Figure 1 shows a simplified schematic of the DAC portion of the DAC7545. The current from the V_{REF} pin is switched from OUT 1 to AGND by the FET switch. This circuit architecture keeps the resistance at the reference pin constant and equal to R_{LDR} , so the reference can be provided by either a voltage or current, AC or DC, positive or negative polarity, and have a voltage range up to $\pm 20V$ even with $V_{DD} = 5V$. The R_{LDR} is equal to R and is typically 11k Ω .

The output capacitance of the DAC7545 is code dependent and varies from a minimum value (70pF) at code 000h to a maximum (200pF) at code FFFh.

The input buffers are CMOS inverters, designed so that when the DAC7545 is operated from a 5V supply (V_{DD}), the logic threshold is TTL-compatible. Being simple CMOS inverters, there is a range of operation where the inverters operate in the linear region and thus draw more supply current than normal. Minimizing this transition time through the linear region and insuring that the digital inputs are operated as close to the rails as possible will minimize the supply drain current.

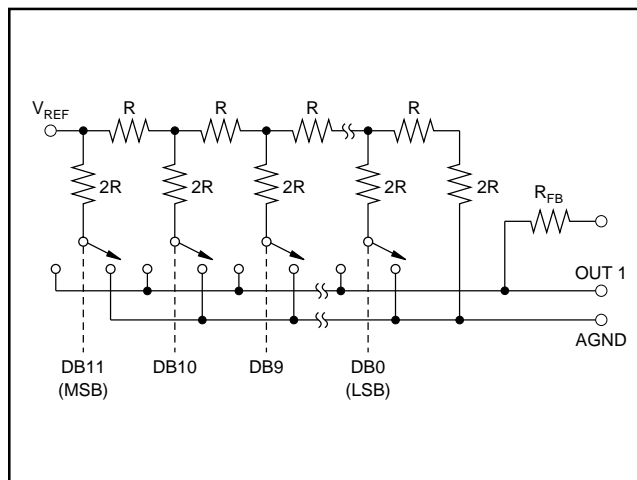


FIGURE 1. Simplified DAC Circuit of the DAC7545.

APPLICATIONS

UNIPOLAR OPERATION

Figure 2 shows the DAC7545 connected for unipolar operation. The high-grade DAC7545 is specified for a 1LSB gain error, so gain adjust is typically not needed; however, the resistors shown are for adjusting full-scale errors. The value of R_1 should be minimized to reduce the effects of mismatching temperature coefficients between the internal and external resistors. A range of adjustment of 1.5 times the desired range will be adequate. For example, for a DAC7545JP, the gain error is specified to be ± 25 LSB, therefore, a range of adjustment of ± 37 LSB will be adequate. Equation 1 results in a value of 458W for the potentiometer (use 500 Ω).

$$R_1 = \frac{R_{LADDER}}{4096} (3 \cdot \text{Gain Error}) \quad (1)$$

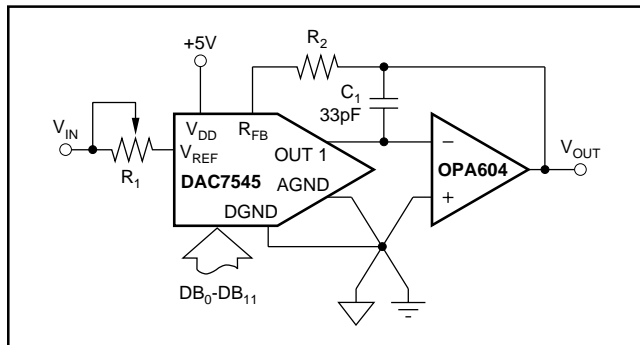


FIGURE 2. Unipolar Binary Operation.

The addition of R_1 will cause a negative gain error. To compensate for this error, R_2 must be added. The value of R_2 should be one-third the value of R_1 .

The capacitor across the feedback resistor is used to compensate for the phase shift due to stray capacitances of the circuit board, the DAC output capacitance, and op amp input capaci-

tance. Eliminating this capacitor will result in excessive ringing and an increase in glitch energy, therefore, this capacitor must be as small as possible to minimize settling time.

The circuit of Figure 2 can be used with input voltages up to ± 20 V as long as the output amplifier is biased to handle the excursions. Table I represents the analog output for four codes into the DAC for Figure 2.

BIPOLAR OPERATION

Figure 3 and Table II illustrate the recommended circuit and code relationship for bipolar operation. The DAC function uses offset binary code. The inverter, U_1 , on the MSB line converts binary two's complement input code to offset binary code. If the inversion is done in software, U_1 can be omitted.

BINARY CODE		ANALOG OUTPUT
MSB	LSB	
1111	1111 1111	$-V_{IN} (4095/4096)$
1000	0000 0000	$-V_{IN} (2048/4096) = -1/2V_{IN}$
0000	0000 0001	$-V_{IN} (1/4096)$
0000	0000 0000	0V

TABLE I. Unipolar Codes.

DATA INPUT		ANALOG OUTPUT
MSB	LSB	
0111	1111 1111	$+V_{IN} (2047/2048)$
0000	0000 0001	$+V_{IN} (1/2048)$
0000	0000 0000	0V
1111	1111 1111	$-V_{IN} (1/2048)$
1000	0000 0000	$-V_{IN} (2048/2048)$

TABLE II. Binary Two's Complement Code Table for Circuit of Figure 3.

R_3 , R_4 , and R_5 must match within 0.01% and must be the same type of resistors (preferably wire-wound or metal foil), so that the temperature coefficients match; mismatch of R_3 value to R_4 causes both offset and full-scale error. Mismatch of R_5 to R_4 and R_3 causes full-scale error.

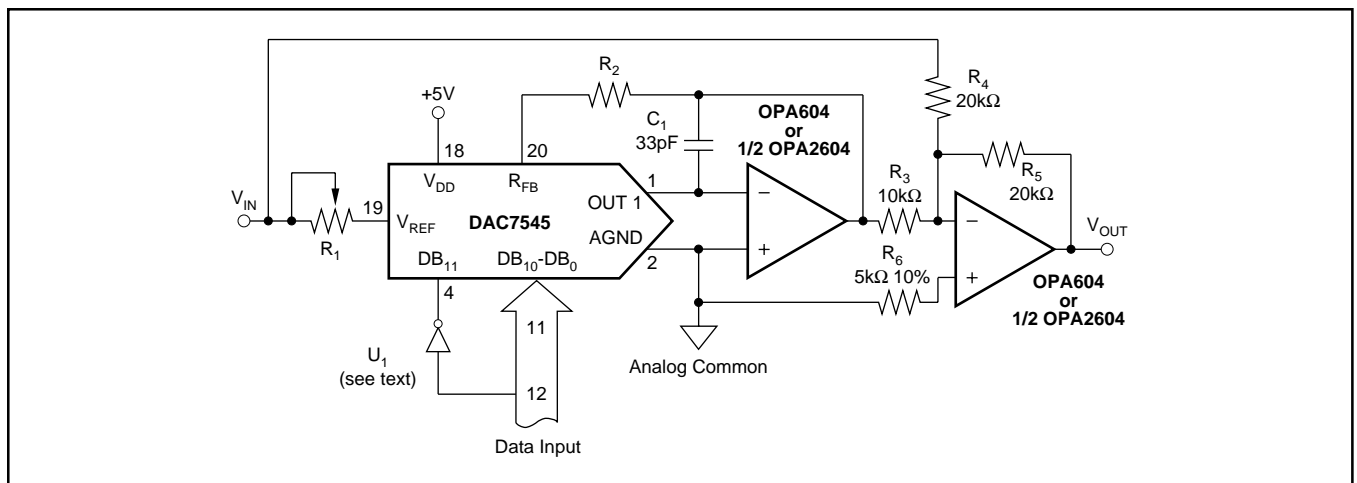


FIGURE 3. Bipolar Operation (binary two's complement code).

DIGITALLY-CONTROLLED GAIN BLOCK

Figure 4 shows a circuit for a digitally-controlled gain block. The feedback for the op amp is made up of the FET switch and the R-2R ladder. The input resistor to the gain block is the R_{FB} of the DAC7545. As the FET switch is in the feedback loop, a zero code into the DAC will result in the op amp having no feedback, and a saturated op amp output.

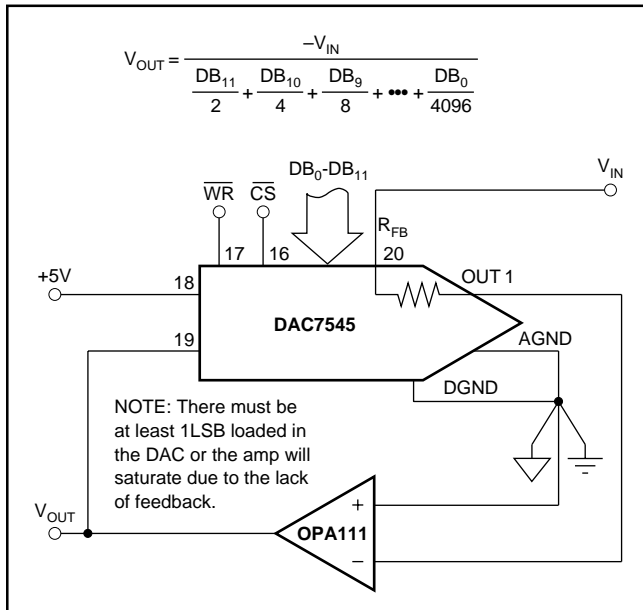


FIGURE 4. Digitally Controlled Gain Block.

APPLICATION HINTS

CMOS DACs, such as the DAC7545, exhibit a code-dependent out resistance. The effect of this is a code-dependent differential nonlinearity at the amplifier output that depends on the offset voltage, V_{OS} , of the amplifier. Thus linearity depends upon the potential of OUT 1 and AGND being exactly equal to each other. Usually the DAC is connected to an external op amp with the noninverting input connected to AGND. The op amp selected should have a low input bias current and low V_{OS} and V_{OS} drift over temperature. The op amp offset voltage should be less than $(25 \cdot 10^{-6})(V_{REF})$ over operating conditions. Suitable op amps are the OPA37 and the OPA627 for fixed

reference applications and low-bandwidth requirement; the OPA37 has low V_{OS} and does not require an offset trim. For wide bandwidth, high slew rate, or fast-settling applications, the OPA604 or 1/2 OPA2604 are recommended.

Unused digital inputs must be connected to V_{DD} or to DGND, this prevents noise from triggering the high impedance digital input. It is suggested that the unused digital inputs also be given a path to ground or V_{DD} through a 1mW resistor to prevent the accumulation of static charge if the PC card is unplugged from the system. In addition, in systems where the AGND to DGND connection is on a backplane, it is recommended that two diodes be connected in inverse parallel between AGND and DGND.

INTERFACING TO MICROPROCESSORS

The DAC7545 can be directly interfaced to either an 8- or 16-bit microprocessor through its 12-bit wide data latch using the \overline{CS} and \overline{WR} controls.

An 8-bit processor interface is shown in Figure 5. It uses two memory addresses: one for the lower 8 bits and one for the upper 4 bits of data into the DAC via the latch.

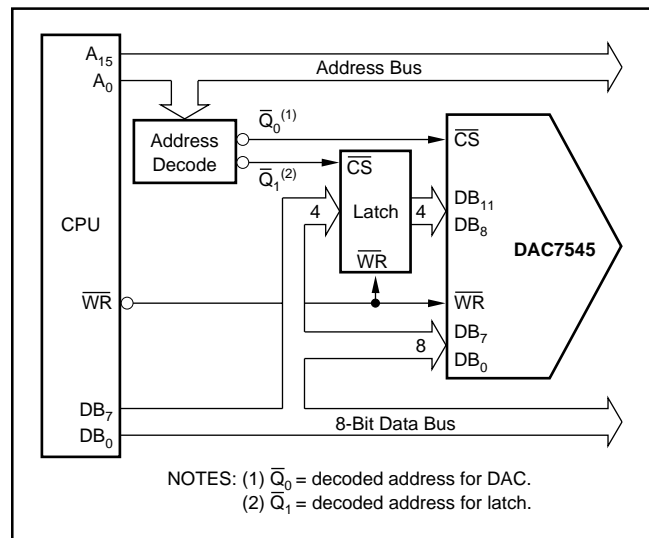


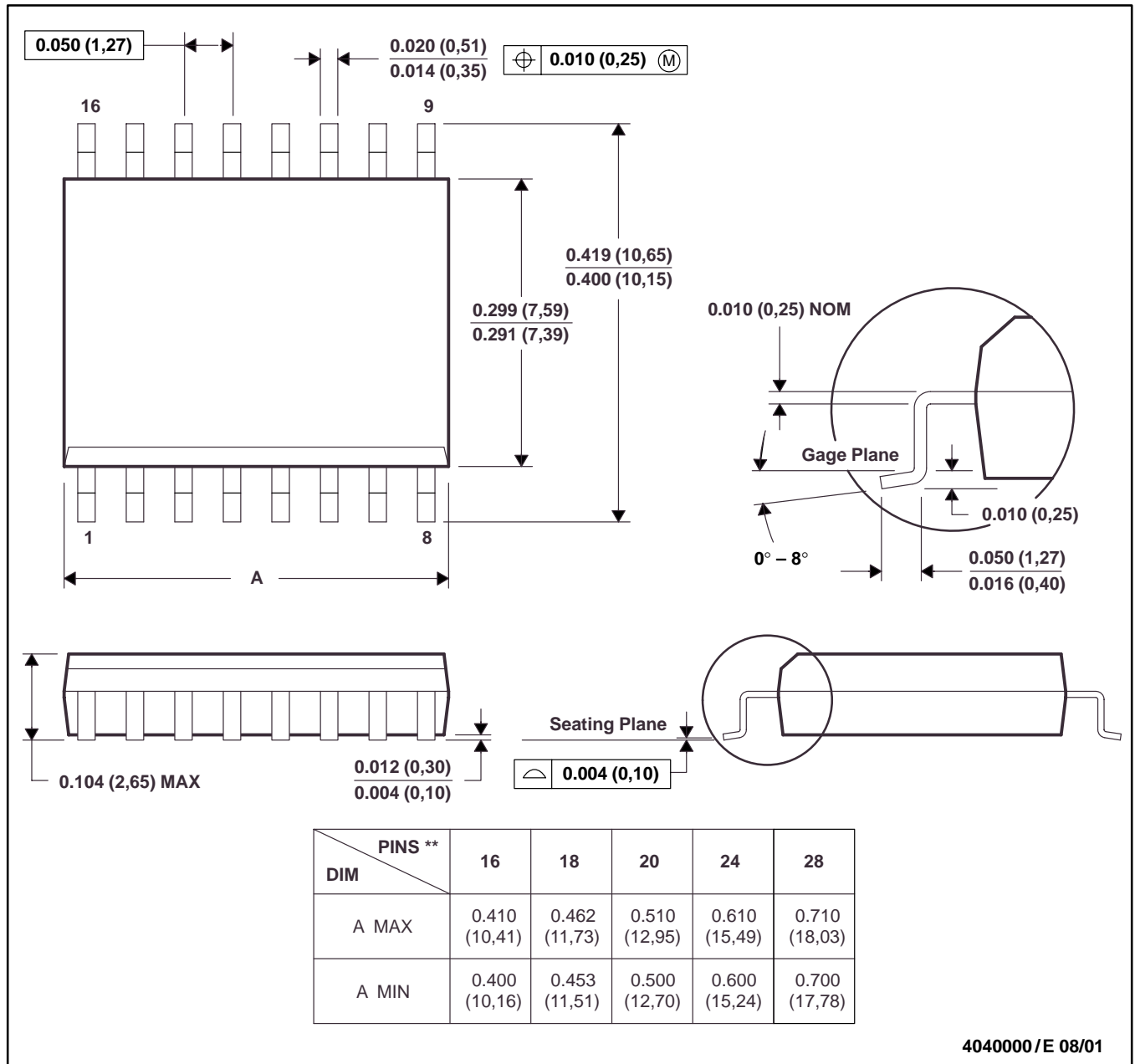
FIGURE 5. 8-Bit Processor Interface.

PACKAGE DRAWING

DW (R-PDSO-G**)

PLASTIC SMALL-OUTLINE PACKAGE

16 PINS SHOWN



- NOTES: A. All linear dimensions are in inches (millimeters).
 B. This drawing is subject to change without notice.
 C. Body dimensions do not include mold flash or protrusion not to exceed 0.006 (0,15).
 D. Falls within JEDEC MS-013

PACKAGING INFORMATION

Orderable Device	Status ⁽¹⁾	Package Type	Package Drawing	Pins	Package Qty	Eco Plan ⁽²⁾	Lead/Ball Finish	MSL Peak Temp ⁽³⁾
DAC7545GLP	OBSOLETE	ZZ (BB)	ZZ222	20		TBD	Call TI	Call TI
DAC7545GLU	ACTIVE	SOIC	DW	20	25	Green (RoHS & no Sb/Br)	CU NIPDAU	Level-3-260C-168 HR
DAC7545GLUG4	ACTIVE	SOIC	DW	20	25	Green (RoHS & no Sb/Br)	CU NIPDAU	Level-3-260C-168 HR
DAC7545GLUR	ACTIVE	SOIC	DW	20	1000	Green (RoHS & no Sb/Br)	CU NIPDAU	Level-3-260C-168 HR
DAC7545GLURG4	ACTIVE	SOIC	DW	20	1000	Green (RoHS & no Sb/Br)	CU NIPDAU	Level-3-260C-168 HR
DAC7545JP	OBSOLETE	ZZ (BB)	ZZ222	20		TBD	Call TI	Call TI
DAC7545JU	ACTIVE	SOIC	DW	20	25	Green (RoHS & no Sb/Br)	CU NIPDAU	Level-3-260C-168 HR
DAC7545JUG4	ACTIVE	SOIC	DW	20	25	Green (RoHS & no Sb/Br)	CU NIPDAU	Level-3-260C-168 HR
DAC7545KP	OBSOLETE	ZZ (BB)	ZZ222	20		TBD	Call TI	Call TI
DAC7545KU	ACTIVE	SOIC	DW	20	25	Green (RoHS & no Sb/Br)	CU NIPDAU	Level-3-260C-168 HR
DAC7545KUG4	ACTIVE	SOIC	DW	20	25	Green (RoHS & no Sb/Br)	CU NIPDAU	Level-3-260C-168 HR
DAC7545LP	OBSOLETE	ZZ (BB)	ZZ222	20		TBD	Call TI	Call TI
DAC7545LU	ACTIVE	SOIC	DW	20	25	Green (RoHS & no Sb/Br)	CU NIPDAU	Level-3-260C-168 HR
DAC7545LUG4	ACTIVE	SOIC	DW	20	25	Green (RoHS & no Sb/Br)	CU NIPDAU	Level-3-260C-168 HR

⁽¹⁾ The marketing status values are defined as follows:

ACTIVE: Product device recommended for new designs.

LIFEBUY: TI has announced that the device will be discontinued, and a lifetime-buy period is in effect.

NRND: Not recommended for new designs. Device is in production to support existing customers, but TI does not recommend using this part in a new design.

PREVIEW: Device has been announced but is not in production. Samples may or may not be available.

OBSOLETE: TI has discontinued the production of the device.

⁽²⁾ Eco Plan - The planned eco-friendly classification: Pb-Free (RoHS), Pb-Free (RoHS Exempt), or Green (RoHS & no Sb/Br) - please check <http://www.ti.com/productcontent> for the latest availability information and additional product content details.

TBD: The Pb-Free/Green conversion plan has not been defined.

Pb-Free (RoHS): TI's terms "Lead-Free" or "Pb-Free" mean semiconductor products that are compatible with the current RoHS requirements for all 6 substances, including the requirement that lead not exceed 0.1% by weight in homogeneous materials. Where designed to be soldered at high temperatures, TI Pb-Free products are suitable for use in specified lead-free processes.

Pb-Free (RoHS Exempt): This component has a RoHS exemption for either 1) lead-based flip-chip solder bumps used between the die and package, or 2) lead-based die adhesive used between the die and leadframe. The component is otherwise considered Pb-Free (RoHS compatible) as defined above.

Green (RoHS & no Sb/Br): TI defines "Green" to mean Pb-Free (RoHS compatible), and free of Bromine (Br) and Antimony (Sb) based flame retardants (Br or Sb do not exceed 0.1% by weight in homogeneous material)

⁽³⁾ MSL, Peak Temp. -- The Moisture Sensitivity Level rating according to the JEDEC industry standard classifications, and peak solder temperature.

Important Information and Disclaimer: The information provided on this page represents TI's knowledge and belief as of the date that it is provided. TI bases its knowledge and belief on information provided by third parties, and makes no representation or warranty as to the accuracy of such information. Efforts are underway to better integrate information from third parties. TI has taken and continues to take reasonable steps to provide representative and accurate information but may not have conducted destructive testing or chemical analysis on incoming materials and chemicals. TI and TI suppliers consider certain information to be proprietary, and thus CAS numbers and other limited

information may not be available for release.

In no event shall TI's liability arising out of such information exceed the total purchase price of the TI part(s) at issue in this document sold by TI to Customer on an annual basis.

TAPE AND REEL INFORMATION



QUADRANT ASSIGNMENTS FOR PIN 1 ORIENTATION IN TAPE



*All dimensions are nominal

Device	Package Type	Package Drawing	Pins	SPQ	Reel Diameter (mm)	Reel Width W1 (mm)	A0 (mm)	B0 (mm)	K0 (mm)	P1 (mm)	W (mm)	Pin1 Quadrant
DAC7545GLUR	SOIC	DW	20	1000	330.0	24.4	10.8	13.0	2.7	12.0	24.0	Q1

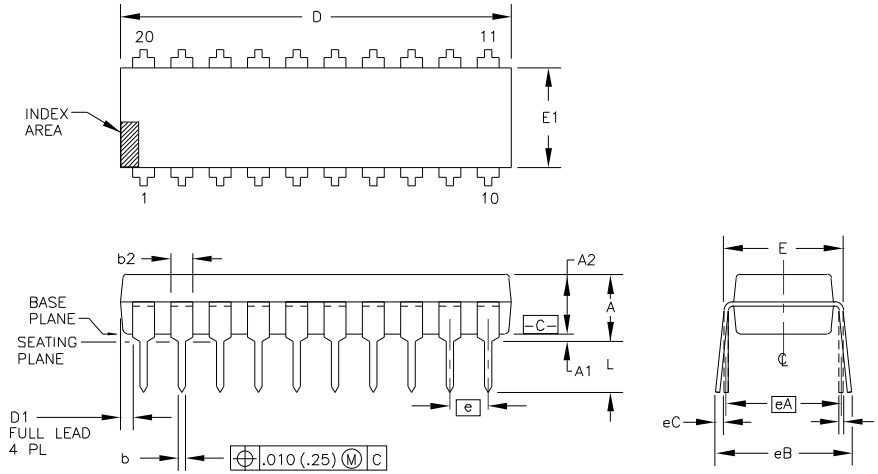
TAPE AND REEL BOX DIMENSIONS



*All dimensions are nominal

Device	Package Type	Package Drawing	Pins	SPQ	Length (mm)	Width (mm)	Height (mm)
DAC7545GLUR	SOIC	DW	20	1000	346.0	346.0	41.0

Package Number 222 - 20-Pin Plastic, Single-Wide DIP



DIM	INCHES		MILLIMETERS		NO. OF LEADS	DIM	INCHES		MILLIMETERS		NO. OF LEADS
	MIN.	MAX.	MIN.	MAX.			MIN.	MAX.	MIN.	MAX.	
A	--	.210	--	5.33	3	L	.115	.150	2.92	3.81	3
A1	.015	--	0.38	--	3	N	20		20		7
A2	.115	.195	2.92	4.95							
b	.014	.022	0.36	0.56							
b2	.045	.070	1.14	1.78	9						
c	.008	.014	0.20	0.36							
D	.980	1.060	24.89	26.92	4						
D1	.005	--	0.13	--	4						
E	.300	.325	7.62	8.26	5						
E1	.240	.280	6.10	7.11	4						
e	.100	BASIC	2.54	BASIC							
eA	.300	BASIC	7.63	BASIC	5						
eB	--	.430	--	10.92	6						
eC	.000	.060	0.00	1.52	6						

NOTES:

1. ALL DIMENSIONS ARE IN INCHES.
2. DIMENSIONING AND TOLERANCING PER ANSI Y14.5M-1982.
3. DIMENSIONS A, A1, AND L ARE MEASURED WITH THE PACKAGE SEATED IN JEDEC SEATING PLANE GAUGE GS-3.
4. D, D1, AND E1 DIMENSIONS DO NOT INCLUDE MOLD FLASH OR PROTRUSIONS. MOLD FLASH OR PROTRUSIONS SHALL NOT EXCEED .010 (0.25mm).
5. E AND eA MEASURED WITH THE LEADS CONSTRAINED TO BE PERPENDICULAR TO DATUM [C].
6. eB AND eC ARE MEASURED AT THE LEAD TIPS WITH THE LEADS UNCONSTRAINED.
7. N IS THE MAXIMUM OF TERMINAL POSITIONS.

8. POINTED OR ROUNDED LEAD TIPS ARE PREFERRED TO EASE INSERTION.
9. b2 MAXIMUM DIMENSION DOES NOT INCLUDE DAMBAR PROTRUSIONS. DAMBAR PROTRUSIONS SHALL NOT EXCEED .010 (0.25mm).
10. DISTANCE BETWEEN LEADS INCLUDING DAMBAR PROTRUSIONS TO BE .005 (0.13mm) MINIMUM.
11. A VISUAL INDEX FEATURE MUST BE LOCATED WITHIN THE CROSS-HATCHED AREA.
12. FOR AUTOMATIC INSERTION, ANY RAISED IRREGULARITY ON THE TOP SURFACE (STEP, MESA, ETC.) SHALL BE SYMMETRICAL ABOUT THE LATERAL AND LONGITUDINAL PACKAGE CENTERLINES.

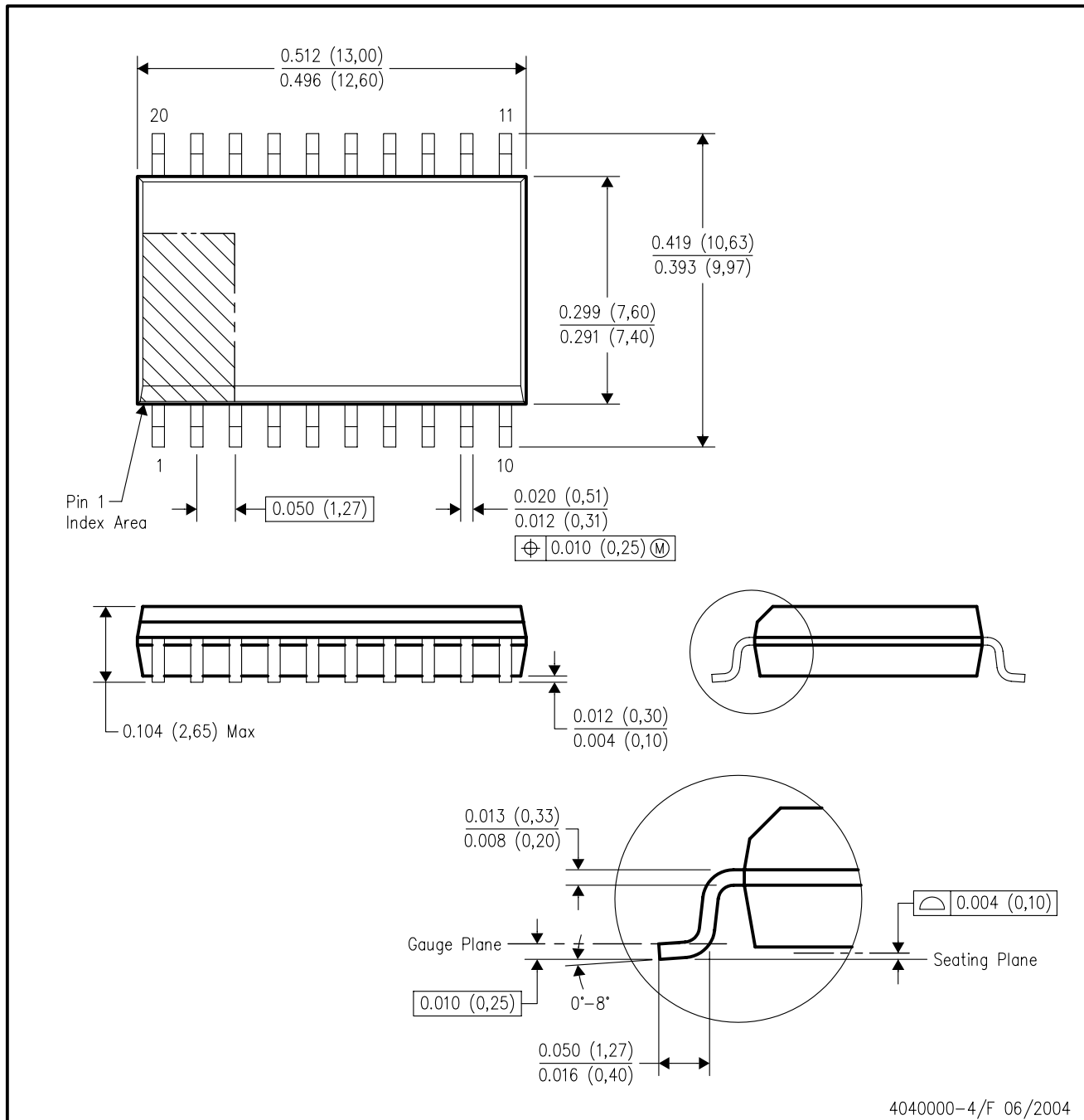
PACKAGE NUMBER: Z2222 REV.: C
 JEDEC NUMBER: MS-001-AD



PACKAGE DRAWING

DW (R-PDSO-G20)

PLASTIC SMALL-OUTLINE PACKAGE



- NOTES:
- A. All linear dimensions are in inches (millimeters).
 - B. This drawing is subject to change without notice.
 - C. Body dimensions do not include mold flash or protrusion not to exceed 0.006 (0,15).
 - D. Falls within JEDEC MS-013 variation AC.

IMPORTANT NOTICE

Texas Instruments Incorporated and its subsidiaries (TI) reserve the right to make corrections, modifications, enhancements, improvements, and other changes to its products and services at any time and to discontinue any product or service without notice. Customers should obtain the latest relevant information before placing orders and should verify that such information is current and complete. All products are sold subject to TI's terms and conditions of sale supplied at the time of order acknowledgment.

TI warrants performance of its hardware products to the specifications applicable at the time of sale in accordance with TI's standard warranty. Testing and other quality control techniques are used to the extent TI deems necessary to support this warranty. Except where mandated by government requirements, testing of all parameters of each product is not necessarily performed.

TI assumes no liability for applications assistance or customer product design. Customers are responsible for their products and applications using TI components. To minimize the risks associated with customer products and applications, customers should provide adequate design and operating safeguards.

TI does not warrant or represent that any license, either express or implied, is granted under any TI patent right, copyright, mask work right, or other TI intellectual property right relating to any combination, machine, or process in which TI products or services are used. Information published by TI regarding third-party products or services does not constitute a license from TI to use such products or services or a warranty or endorsement thereof. Use of such information may require a license from a third party under the patents or other intellectual property of the third party, or a license from TI under the patents or other intellectual property of TI.

Reproduction of TI information in TI data books or data sheets is permissible only if reproduction is without alteration and is accompanied by all associated warranties, conditions, limitations, and notices. Reproduction of this information with alteration is an unfair and deceptive business practice. TI is not responsible or liable for such altered documentation. Information of third parties may be subject to additional restrictions.

Resale of TI products or services with statements different from or beyond the parameters stated by TI for that product or service voids all express and any implied warranties for the associated TI product or service and is an unfair and deceptive business practice. TI is not responsible or liable for any such statements.

TI products are not authorized for use in safety-critical applications (such as life support) where a failure of the TI product would reasonably be expected to cause severe personal injury or death, unless officers of the parties have executed an agreement specifically governing such use. Buyers represent that they have all necessary expertise in the safety and regulatory ramifications of their applications, and acknowledge and agree that they are solely responsible for all legal, regulatory and safety-related requirements concerning their products and any use of TI products in such safety-critical applications, notwithstanding any applications-related information or support that may be provided by TI. Further, Buyers must fully indemnify TI and its representatives against any damages arising out of the use of TI products in such safety-critical applications.

TI products are neither designed nor intended for use in military/aerospace applications or environments unless the TI products are specifically designated by TI as military-grade or "enhanced plastic." Only products designated by TI as military-grade meet military specifications. Buyers acknowledge and agree that any such use of TI products which TI has not designated as military-grade is solely at the Buyer's risk, and that they are solely responsible for compliance with all legal and regulatory requirements in connection with such use.

TI products are neither designed nor intended for use in automotive applications or environments unless the specific TI products are designated by TI as compliant with ISO/TS 16949 requirements. Buyers acknowledge and agree that, if they use any non-designated products in automotive applications, TI will not be responsible for any failure to meet such requirements.

Following are URLs where you can obtain information on other Texas Instruments products and application solutions:

Products

Amplifiers	amplifier.ti.com
Data Converters	dataconverter.ti.com
DSP	dsp.ti.com
Clocks and Timers	www.ti.com/clocks
Interface	interface.ti.com
Logic	logic.ti.com
Power Mgmt	power.ti.com
Microcontrollers	microcontroller.ti.com
RFID	www.ti-rfid.com
RF/IF and ZigBee® Solutions	www.ti.com/lprf

Applications

Audio	www.ti.com/audio
Automotive	www.ti.com/automotive
Broadband	www.ti.com/broadband
Digital Control	www.ti.com/digitalcontrol
Medical	www.ti.com/medical
Military	www.ti.com/military
Optical Networking	www.ti.com/opticalnetwork
Security	www.ti.com/security
Telephony	www.ti.com/telephony
Video & Imaging	www.ti.com/video
Wireless	www.ti.com/wireless

Mailing Address: Texas Instruments, Post Office Box 655303, Dallas, Texas 75265
Copyright © 2008, Texas Instruments Incorporated